



# AC-CAP-2 Axis XY

## 2 axis capacitive accelerometer

**Range**  $\pm 5, \pm 10, \pm 15, \pm 20$  G  
**Accuracy**  $\pm 1.5$  % FS  
**Sensitivity** 400 to 100 +/- 8% mV/G  
**Bandwidth** 6dB (std) DC to 100 Hz

**Supply voltage** 5 to 16 V  
**Supply current** 3 mA  
**Output Voltage** 0 – 5 V  
**Output impedance** 47  $\Omega$   
**Resonance** 5000 Hz  
**Cross axis sensitivity** 2.5 %  
**Offset drift (20 to 80°C)**  $\pm 20$  mV  
**Gain drift (20 to 80°C)**  $\pm 1$  %

**Housing** Aluminium  
**Dimension** 25x16x8 mm  
**Weight** 15 g

**Vibration test** 20 Gpp 5'  
**Shock** 1000 G

**Operating temp** -20 to +100°C  
**Storage temp** -40 to +125°C

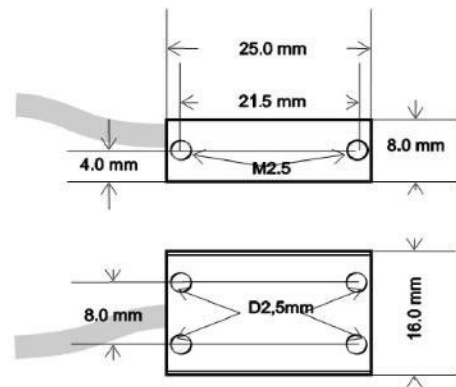
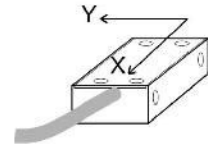
1 m cable of 4X26AWG FEP  
 tinned copper braided cable 250V 200°C

Ordering ref ex: AC-CAP2-XB-YB  
 AC-CAP2-XRango-YRango

Range				
B	C	D	E	N
$\pm 5$ G	$\pm 10$ G	$\pm 15$ G	$\pm 20$ G	Not wired

**Red**  
**Black**  
**White**  
**Green**  
**Braid**

**Supply** 0 V  
**Signal X**  
**Signal Y**  
**Not connected**



Calibration table				
	5G 400 mV/G	10G 200 mV/G	15G 133mV/G	20G 100mV/G
-20				0.5
-15			0.5	1.0
-10		0.5	1,17	1.5
-5	0.5	1.5	1,83	2.0
0	2.5	2.5	2.5	2.5
+5	4.5	3.5	3,17	3.0
+10		4.5	3,83	3.5
+15			4.5	4.0
+20				4.5

Examples of inertial units with Texense Gyros and Accelerometers



**TEXYS**  
**INTERNATIONAL**  
 ZA des Chamonds  
 Rue Edouard Branly  
 58640 Varennes-Vauzelles  
 (FRANCE)  
 Tel. : +33 (0) 3 86 21 27 18  
 Fax : +33 (0) 3 86 21 24 49